

Heim[®] 2-Piece Stainless Steel Rod Ends

The HEIM MxCRTSS and FxCRTSS Series lined rod ends offer a performance upgrade to the traditional stainless-steel metal-to-metal rod ends.



The HEIM MxCRTSS and FxCRTSS Series features a synthetic liner system incorporated into this offering which eliminates drawbacks found in traditional 2-piece rod ends—reducing friction and heat which often lead to galling, accelerated wear and ultimately failure of the joint.

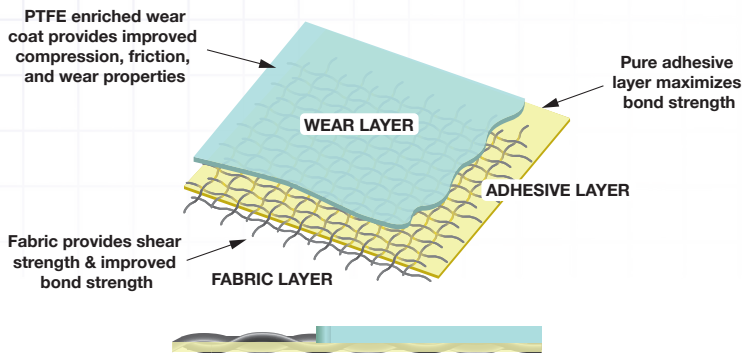
These lined parts also eliminate the need for messy dirt trapping grease and the maintenance tied to reapplying grease to the traditional 2-piece rod end.

Product Features and Benefits:

- ✓ Non-reactive materials
- ✓ Rod End Body: 17-4PH CRES
- ✓ Ball: 440C CRES
- ✓ Low coefficient of friction
- ✓ Self-Lubricating (no sticky grease)
- ✓ Eliminates metal to metal contact
- ✓ Reduced wear & extended life
- ✓ Maintenance-Free
- ✓ Multiple sizes and configurations (Male/Female/RH/LH)

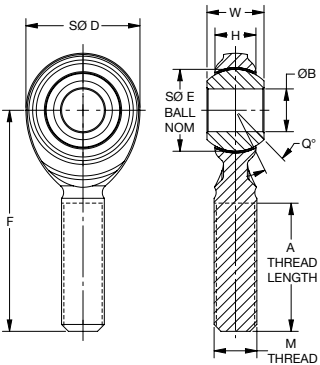
Applications:

- ✓ Food processing
- ✓ Cosmetic filling equipment
- ✓ Medical equipment
- ✓ Marine applications
- ✓ Machine washdown applications
- ✓ Paper processing equipment
- ✓ Robotics



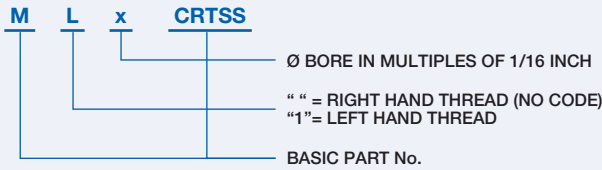
RBC Bearings® has been producing bearings in the USA since 1919. In addition to unique custom bearings, RBC Bearings® offers a full line of standard industrial and aerospace bearings, including:

MxCRTSS Series — In Stock Now!



PART NUMBER	B	W	H	D	F	A	M	E	Q°	Ultimate Static Radial Load	No Load Breakaway Torque in-lbs	Approx Weight lbs
M3CRTSS	+0.0025 -0.0005	+0.005 -0.005	+0.0010 -0.0010	+0.031 -0.031	+0.015 -0.015	MIN	UNF-3A	NOM	NOM	1980	0.05-5.0	0.03
M4CRTSS										3661	0.05-5.0	0.05
M5CRTSS										5227	0.05-5.0	0.07
M6CRTSS										7322	1.0-8.0	0.11
M7CRTSS										9029	1.0-8.0	0.15
M8CRTSS										12772	1.0-8.0	0.24
M10CRTSS										13651	1.0-8.0	0.36
M12CRTSS										20887	1.0-8.0	0.57

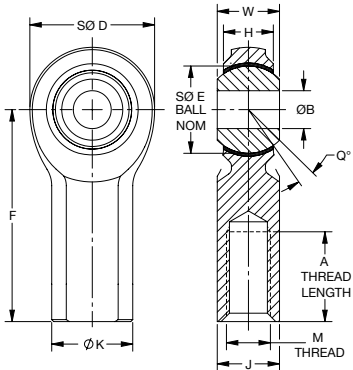
Part No. Code:



Materials:

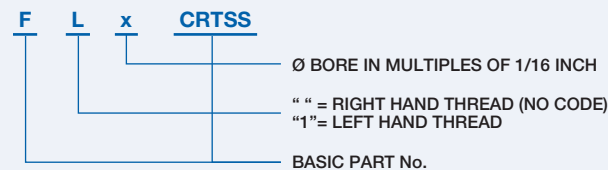
Rod End Body: Stainless Steel Heat Treated
Ball: Stainless Steel Heat Treated, Chrome Plated
Liner: PTFE

FxCRTSS Series — In Stock Now!



PART NUMBER	B	W	H	D	F	A	M	E	J	K	Q°	Ultimate Static Radial Load	No Load Breakaway Torque in-lbs	Approx Weight lbs
F3CRTSS	+0.0025 -0.0005	+0.005 -0.005	+0.0010 -0.0010	+0.031 -0.031	+0.015 -0.015	MIN	UNF-2B	+0.010 -0.010	+0.010 -0.010	NOM	NOM	2917	0.05-5.0	0.03
F4CRTSS												4725	0.05-5.0	0.05
F5CRTSS												5472	0.05-5.0	0.08
F6CRTSS												7665	1.0-8.0	0.12
F7CRTSS												9451	1.0-8.0	0.17
F8CRTSS												13317	1.0-8.0	0.26
F10CRTSS												14290	1.0-8.0	0.41
F12CRTSS												21863	1.0-8.0	0.64

Part No. Code:



Materials:

Rod End Body: Stainless Steel Heat Treated
Ball: Stainless Steel Heat Treated, Chrome Plated
Liner: PTFE



Smoother. Faster. Longer. Because That's How We Roll.

www.rbcbearings.com 800.356.6584



This document contains a general overview of the products and features described herein. It is solely for informational purposes, does not represent a warranty of the information contained herein, and is not to be construed as an offer to sell or a solicitation to buy. Contact RBC Bearings® for detailed information suitable to your specific applications. RBC Bearings® reserves the right to modify its products and related product information at any time without prior notice. Some of the products listed herein may be covered by one or more issued and pending U.S. or foreign patents. Contact RBC Bearings® for product specific information - or see rbcbearings.com/patents/